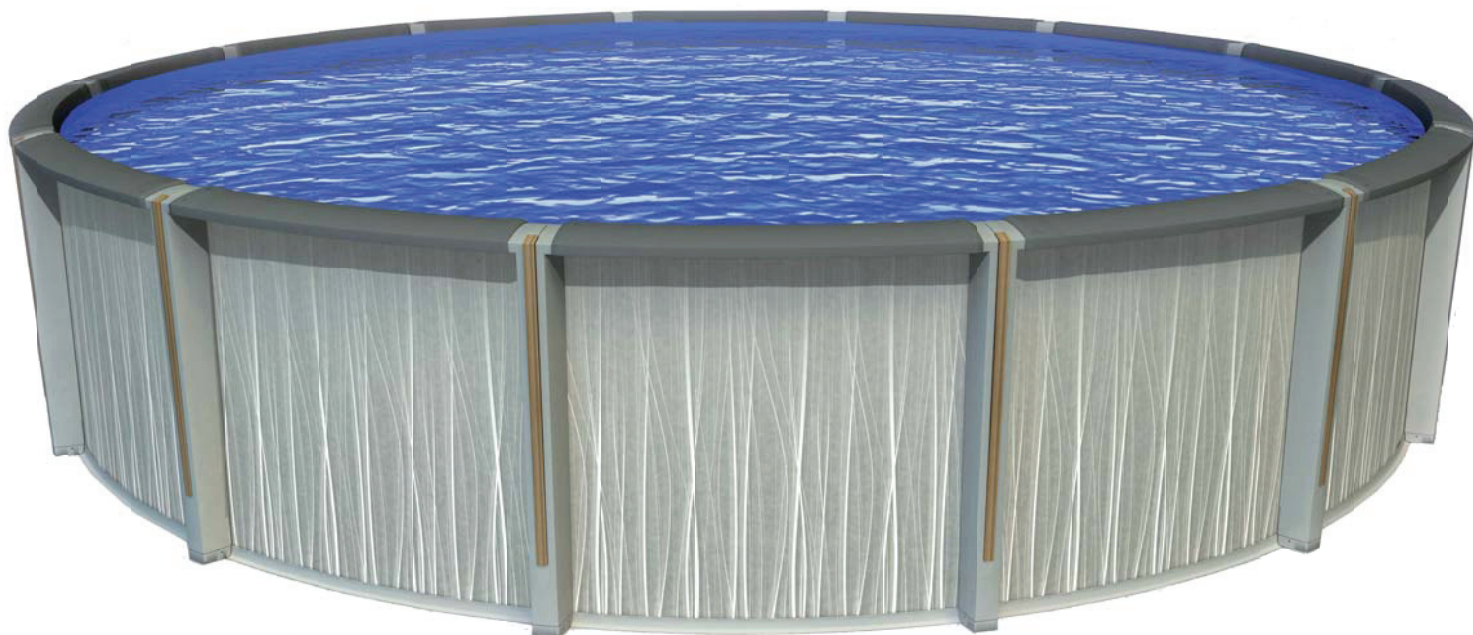


# Model 222

A truly unique Trevi creation, our model 222 features the Secure-Lock system for added security, and guarantees improved stability for your pool.

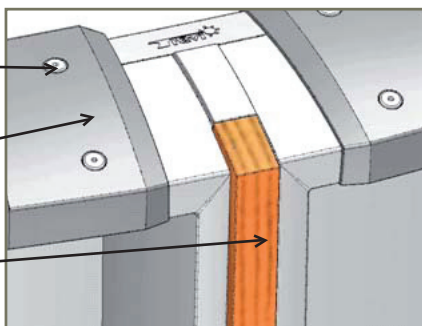
This new design eliminates the need for screws at ground level, which also eliminates any risk of corrosion.



Top quality stainless steel screws

8" (20.32 cm) injection-moulded resin top seat

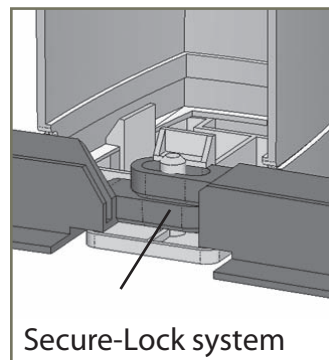
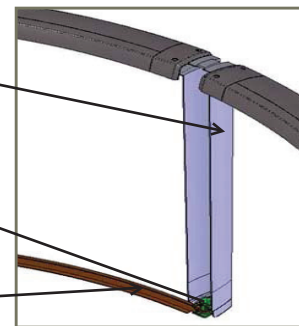
Optional red cedar insert



Injection-moulded post with integrated joining plates

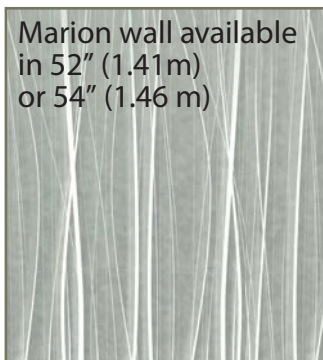
Injection-moulded resin plate with Secure-Lock system

Injection-moulded resin track with Secure-Lock system



Secure-Lock system

Marion wall available in 52" (1.41m) or 54" (1.46 m)



## Dimensions

### Round :

12' (3.66m), 15' (4.57m), 18' (5.49m), 21' (6.40m), 24' (7.31m), 30' (9.14m), 33' (10.05m).

### Oval :

10' x 16' (3.04m x 4.88m), 10' x 21' (3.04m x 6.40m), 13' x 18' (3.96m x 5.49m), 13' x 23' (3.96m x 7.01m), 15' x 20' (4.57m x 6.10m), 15' x 26' (4.57m x 7.92m), 15' x 31' (4.57m x 9.45m), 18' x 33' (5.49m x 10.06m), 18' x 38' (5.49m x 11.58m), 18' x 44' (5.49m x 13.41m).